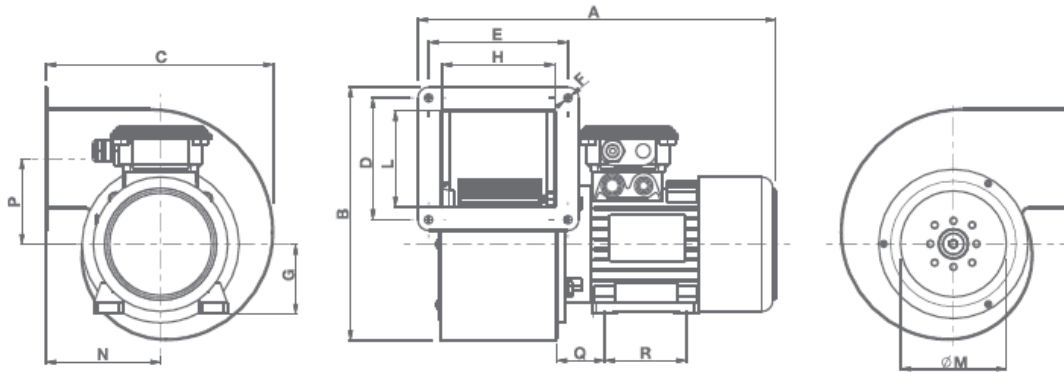
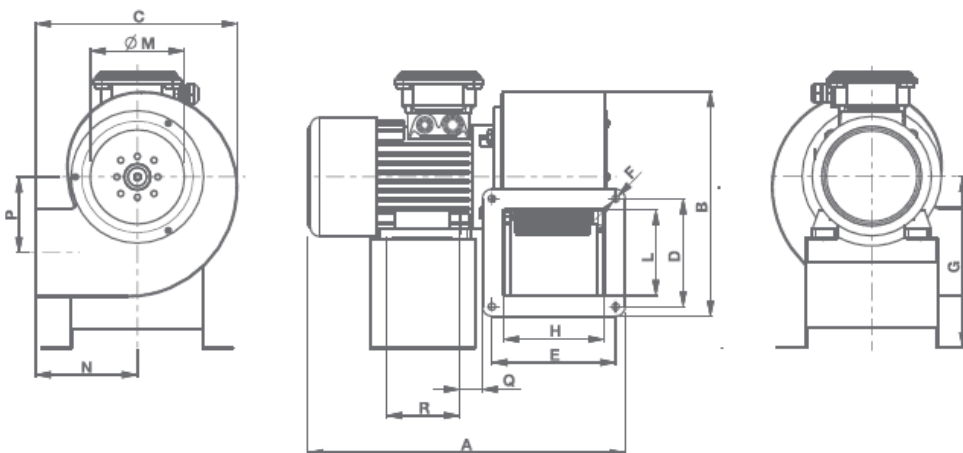


Abmessungen / Dimensions / Dimensioni

C - Serie

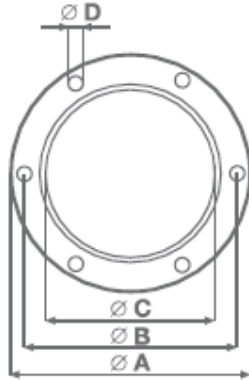


| Models | A | B | C | D | E | F | G | H | L | ØM | N | P | Q | R | Kg |
|------------|-----|-------|-------|-----|-----|-----|----|-----|-----|-----|-------|------|----|-----|------|
| C 10/2 M | 260 | 186 | 171 | 72 | 82 | 6.5 | 56 | 68 | 63 | 80 | 81 | 66.5 | 36 | 71 | 2.7 |
| C 10/2 T | | | | | | | | 83 | 88 | | | | | | 5 |
| C 15/2 M | 281 | 234 | 206 | 108 | 100 | 7 | 71 | 83 | 88 | 108 | 99 | 79 | 45 | 90 | 3.3 |
| C 15/2 T | | | | | | | | 102 | 98 | | | | | | 6 |
| C 20/2 M E | 350 | 258 | 232 | 123 | 123 | 8.5 | 71 | 102 | 98 | 132 | 117 | 87 | 50 | 100 | 6 |
| C 20/2 T E | | | | 124 | 142 | | | 6.3 | | | | | | | |
| C 25/2 M E | 366 | 308 | 272 | 126 | 137 | 8.5 | 71 | 115 | 108 | 170 | 131 | 111 | 56 | 125 | 6.8 |
| C 25/2 T E | | | | | | | | 117 | 108 | | | | | | 6.3 |
| C 30/2 M E | 352 | 400 | 340 | 164 | 174 | 8.5 | 71 | 149 | 137 | 199 | 152 | 144 | 56 | 125 | 8.4 |
| C 30/2 T E | | | | | | | | 112 | 137 | | | | | | 8.1 |
| C 30/4 M E | 351 | 471 | 416.5 | 220 | 182 | 8.5 | 80 | 149 | 187 | 240 | 181.5 | 146 | 50 | 100 | 9.5 |
| C 30/4 T E | | | | | | | | 185 | 187 | | | | | | 11 |
| C 31/4 T E | 387 | 472 | 418 | 214 | 208 | 8.5 | 80 | 185 | 187 | 240 | 181.5 | 147 | 56 | 125 | 9.3 |
| C 35/4 T E | | | | | | | | 185 | 187 | | | | | | 20.5 |
| C 37/4 M E | 435 | 472 | 418 | 214 | 208 | 8.5 | 80 | 185 | 187 | 240 | 181.5 | 147 | 56 | 125 | 14.6 |
| C 37/4 T E | | | | | | | | 185 | 187 | | | | | | 21 |
| C 40/4 T E | 466 | 557.2 | 484.5 | 228 | 228 | 9 | 90 | 200 | 200 | 240 | 222 | 217 | 56 | 125 | 21 |
| C 40/4 M E | | | | | | | | 200 | 200 | | | | | | 61 |
| C 45/4 T E | 549 | 557.2 | 484.5 | 228 | 228 | 9 | 90 | 200 | 200 | 240 | 222 | 217 | 56 | 125 | 61 |



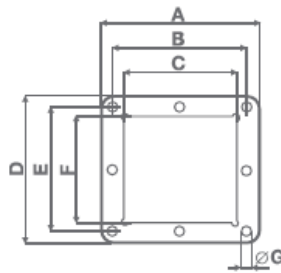
| Models | A | B | C | D | E | F | G | H | L | ØM | N | P | Q | R | Kg |
|------------|-----|-----|-----|-----|-----|------|-----|-----|-----|-----|-----|-------|----|-----|----|
| C 46/4 T E | 593 | 675 | 566 | 306 | 265 | 11.5 | 442 | 236 | 277 | 288 | 250 | 244.5 | 27 | 270 | 61 |

Air intake



| Models | Ø A | Ø B | Ø C | Ø D | n° holes |
|--------|-------|-----|-----|-----|----------|
| C 10 | 111.5 | 100 | 80 | 7 | 6 |
| C 15 | 141 | 128 | 108 | | |
| C 20 | 152 | 132 | | | |
| C 25 | | | | | |
| C 30 | 190 | 170 | 132 | 8.5 | 8 |
| C 31 | 240 | 220 | 170 | | |
| C 35 | | | | | |
| C 37 | 282 | 262 | 199 | | |
| C 40 | | | | | |
| C 45 | 320 | 300 | 236 | | |
| C 46 | 420 | 395 | 288 | | |

Delivery outlet



| Models | A | B | C | D | E | F | Ø G | n° holes |
|--------|-----|-----|-----|-----|-----|-----|------|----------|
| C 10 | 98 | 82 | 68 | 88 | 72 | 63 | 6.5 | 4 |
| C 15 | 125 | 100 | 83 | 132 | 108 | 88 | 7 | |
| C 20 | 145 | 123 | 102 | 145 | 123 | 98 | 8.5 | |
| C 25 | 164 | 142 | 115 | 146 | 124 | | | |
| C 30 | 162 | 137 | 117 | 150 | 126 | 108 | | |
| C 31 | 165 | 139 | 112 | 190 | 164 | 137 | | |
| C 35 | 200 | 174 | | | 137 | | | |
| C 37 | 218 | 182 | 149 | 250 | 220 | 187 | | 8 |
| C 40 | 244 | 208 | 185 | | 214 | | | |
| C 45 | 260 | 228 | 200 | 260 | 228 | 200 | 9 | |
| C 46 | 295 | 264 | 236 | 336 | 306 | 277 | 11.5 | |

Masse / Dimensions / Dimensioni, mm