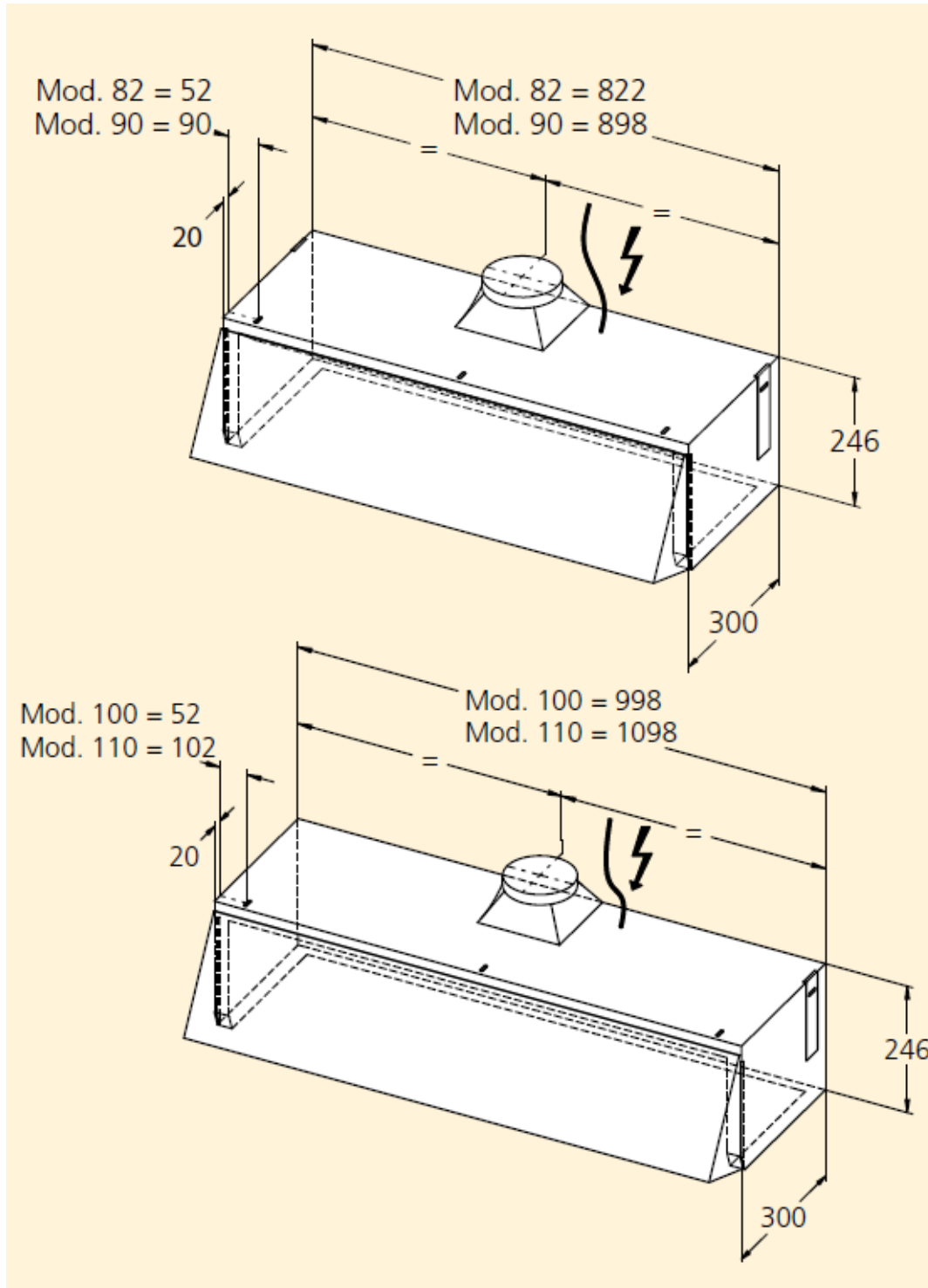


**Abmessungen / Dimensions / Dimensioni**

**EVM 25 82/90/100/110**



**Masse / Dimensions / Dimensioni, mm**