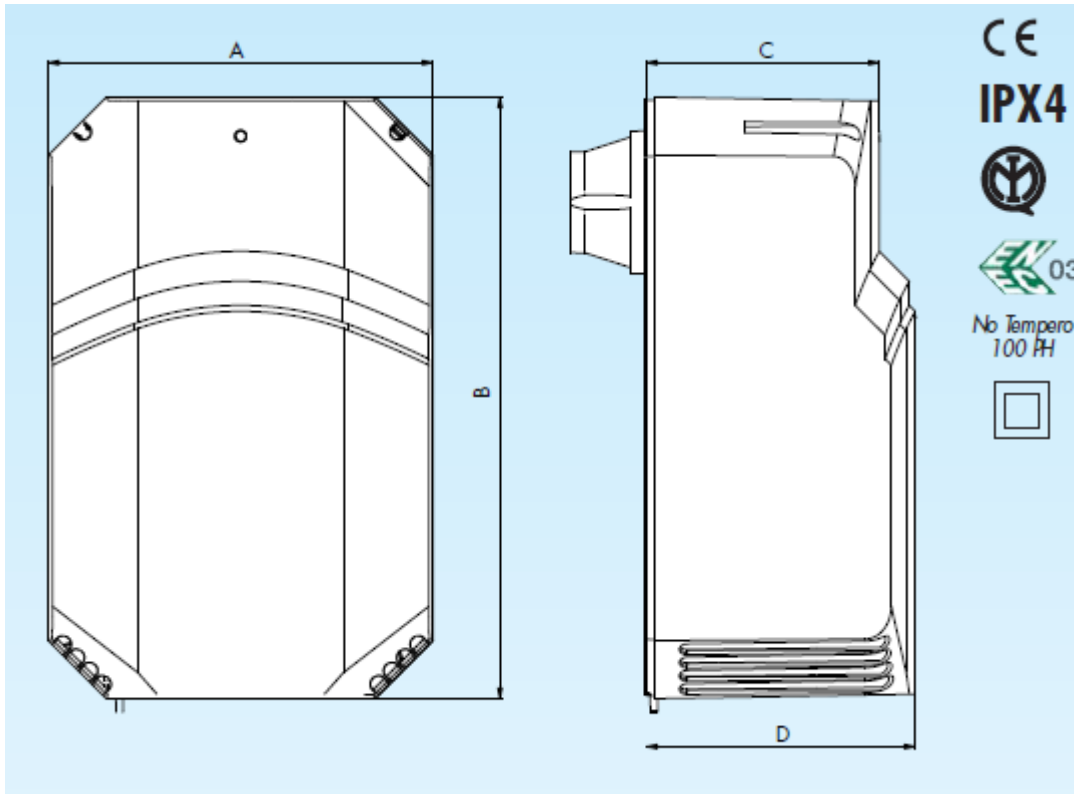


Abmessungen / Dimensions / Dimensioni

Tempero



Model	A	B	C	D
TEMPERO 100	257	400	155	179
TEMPERO 100T	257	400	155	179
TEMPERO 100PH	257	400	155	179

Masse / Dimensions / Dimensioni, mm

Technical data

Model	Ref.	INTAKE m ³ /h	EXTRACT m ³ /h	dB(A) 3 m	Weight Kg	Hz	W	Eff. (%)	Temp °C	Ø hole mm	Nom Volt
100	OW 684 3	60	70	34	3,3	50Hz	40	70	-5 +35	100/120	220/240
100T	OW 685 0	60	70	34	3,3	50Hz	40	70	-5 +35	100/120	220/240
100PH	OW 686 8	60	70	34	3,3	50Hz	400	70	-25 +35	100/120	220/240