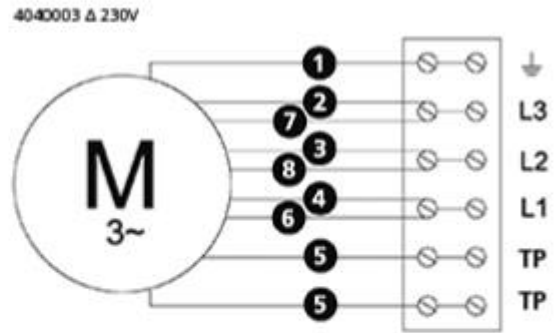
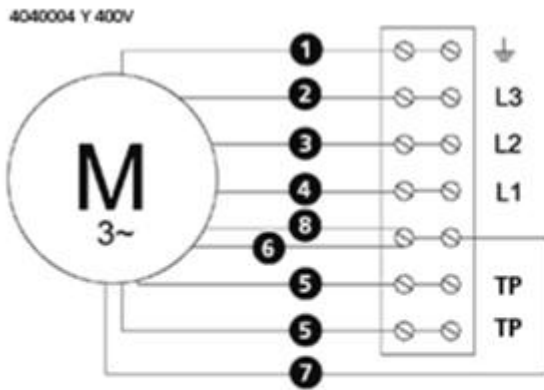


Anschlusschema / Schéma de raccordement / Schema di allacciamento
ISB Box IRB 315 B3 ErP



- (M)** = Fan Motor
- (M1)** = Fan Motor
- (M2)** = Fan Motor
- (M3)** = Rotor Motor
- 1** = Yellow/Green
- 2** = Black
- 3** = Blue
- 4** = Brown
- 5** = White
- 6** = Orange
- 7** = Grey
- 8** = Red
- 9** = Green
- 10** = Violet
- 11** = Quick switch
- 12** = Yellow