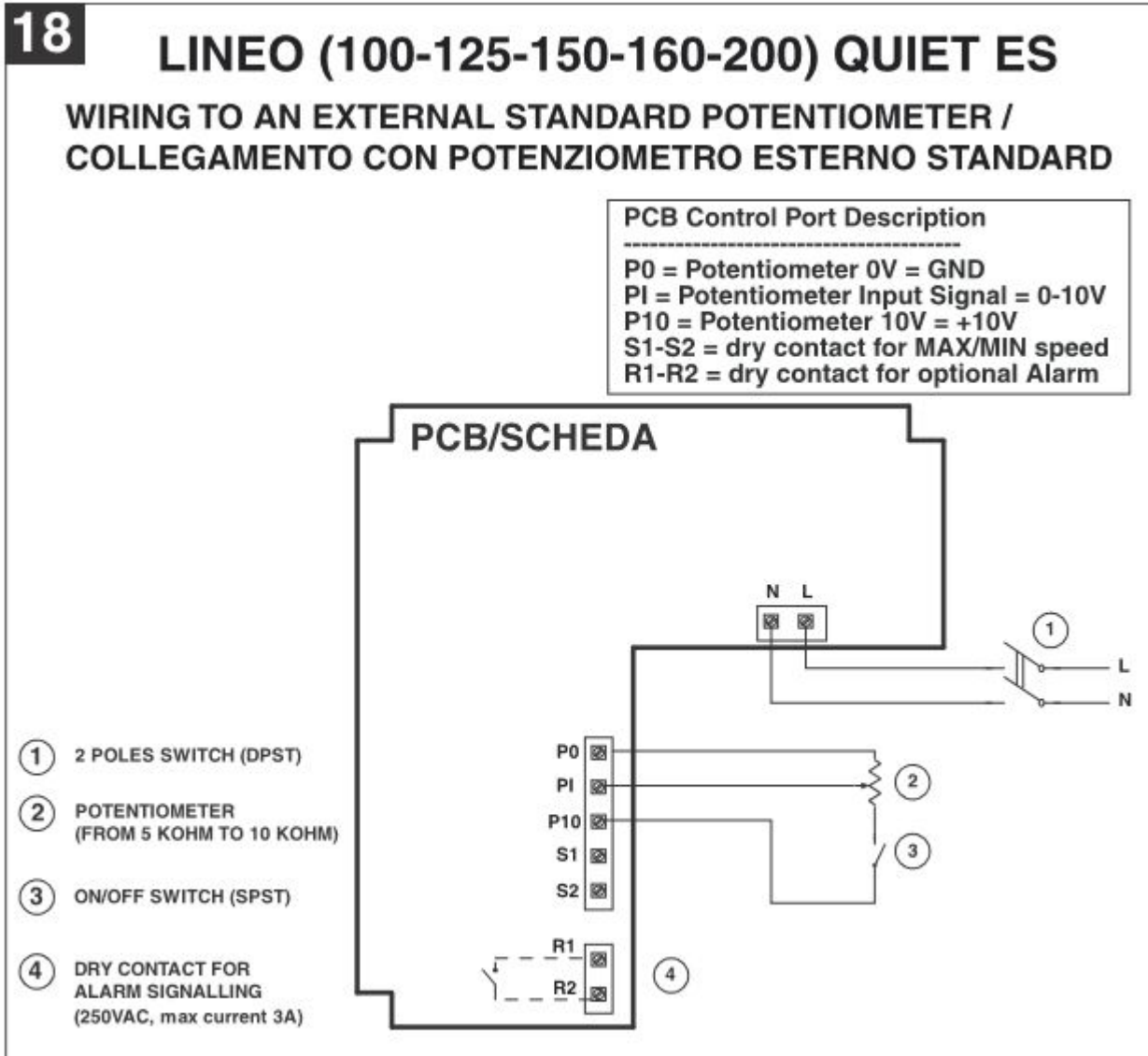


Anschlusschema / Schéma de raccordement / Schema di allacciamento

Lineo Quiet ES 100/125/150/160/200



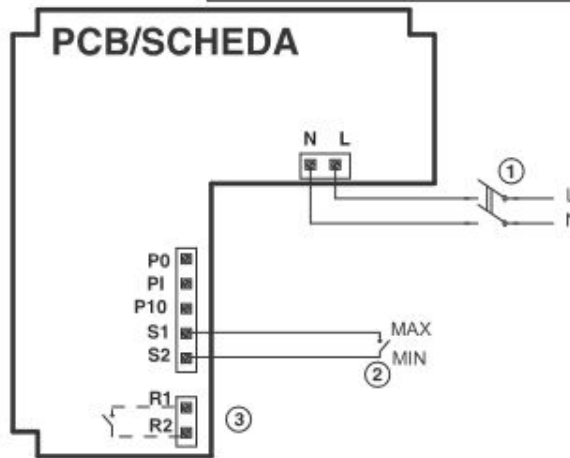
19

LINEO (100-125-150-160-200) QUIET ES

WIRING TO AN EXTERNAL LOW/ HIGH SPEED SWITCH /
COLLEGAMENTO A INT. ESTERNO PER MAX E MIN. VELOCITÀ

PCB Control Port Description
 P0 = Potentiometer 0V = GND
 PI = Potentiometer Input Signal = 0-10V
 P10 = Potentiometer 10V = +10V
 S1-S2 = dry contact for MAX/MIN speed
 R1-R2 = dry contact for optional Alarm

- ① 2 POLES SWITCH (DPST)
- ② LOW/HIGH SPEED SWITCH SPST
- ③ DRY CONTACT FOR ALARM SIGNALLING (250VAC, max current 3A)



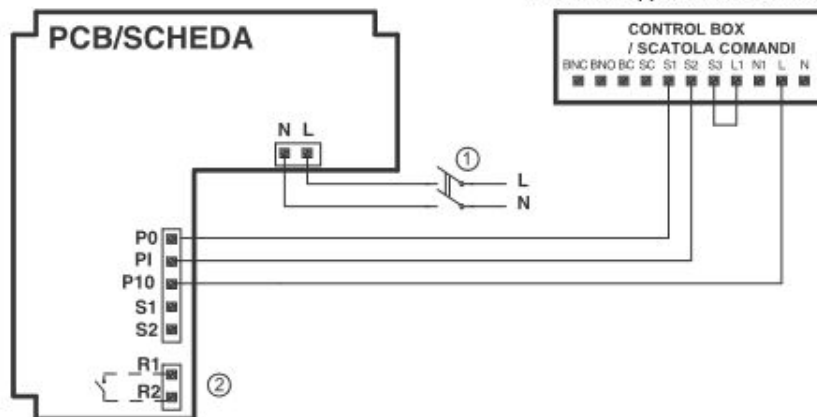
20

LINEO (100-125-150-160-200) QUIET ES

WIRING TO THE "POTENTIOMETER" + ON/OFF" CONTROL BOX TYPE 503 (CODE 12826)
COLLEGAMENTO ALLA SCATOLA COMANDI TIPO 503 CON POTENZIOMETRO E TASTO ON/OFF (CODICE 12826)

SURFACE MOUNTING
or FLUSH TYPE 503 / MONTAGGIO
A PARETE oppure A INCASSO 503

- ① 2 POLES SWITCH (DPST)
- ② DRY CONTACT FOR ALARM SIGNALLING (250VAC, max current 3A)

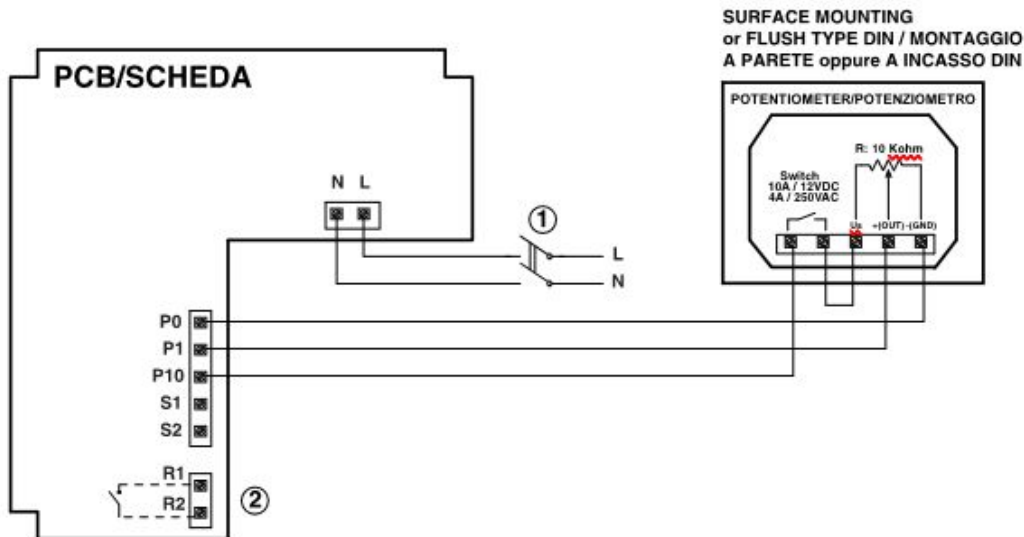


PCB Control Port Description
 P0 = Potentiometer 0V = GND
 PI = Potentiometer Input Signal = 0-10V
 P10 = Potentiometer 10V = +10V
 S1-S2 = dry contact for MAX/MIN speed
 R1-R2 = dry contact for optional Alarm

21

LINEO (100-125-150-160-200) QUIET ES

WIRING TO THE EXTERNAL POTENTIOMETER TYPE DIN (CODE 12828)
COLLEGAMENTO AL POTENZIOMETRO ESTERNO TIPO DIN (CODICE 12828)

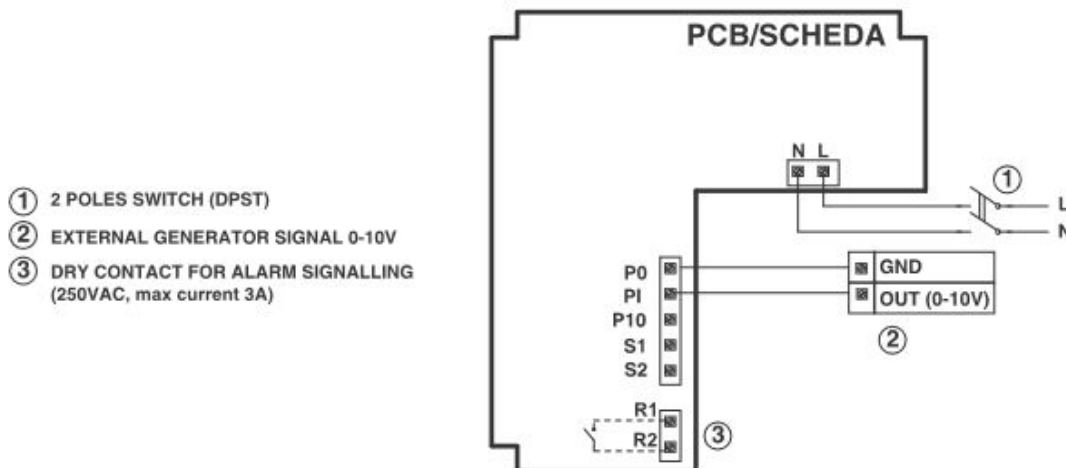


- ① 2 POLES SWITCH (DPST)
- ② DRY CONTACT FOR ALARM SIGNALLING (250VAC, max current 3A)

22

LINEO (100-125-150-160-200) QUIET ES

WIRING TO AN EXTERNAL GENERATOR SIGNAL 0-10V /
COLLEGAMENTO CON GENERATORE ESTERNO DI SEGNALE 0-10V



- ① 2 POLES SWITCH (DPST)
- ② EXTERNAL GENERATOR SIGNAL 0-10V
- ③ DRY CONTACT FOR ALARM SIGNALLING (250VAC, max current 3A)

PCB Control Port Description

P0 = Potentiometer 0V = GND
P1 = Potentiometer Input Signal = 0-10V
P10 = Potentiometer 10V = +10V
S1-S2 = dry contact for MAX/MIN speed
R1-R2 = dry contact for optional Alarm