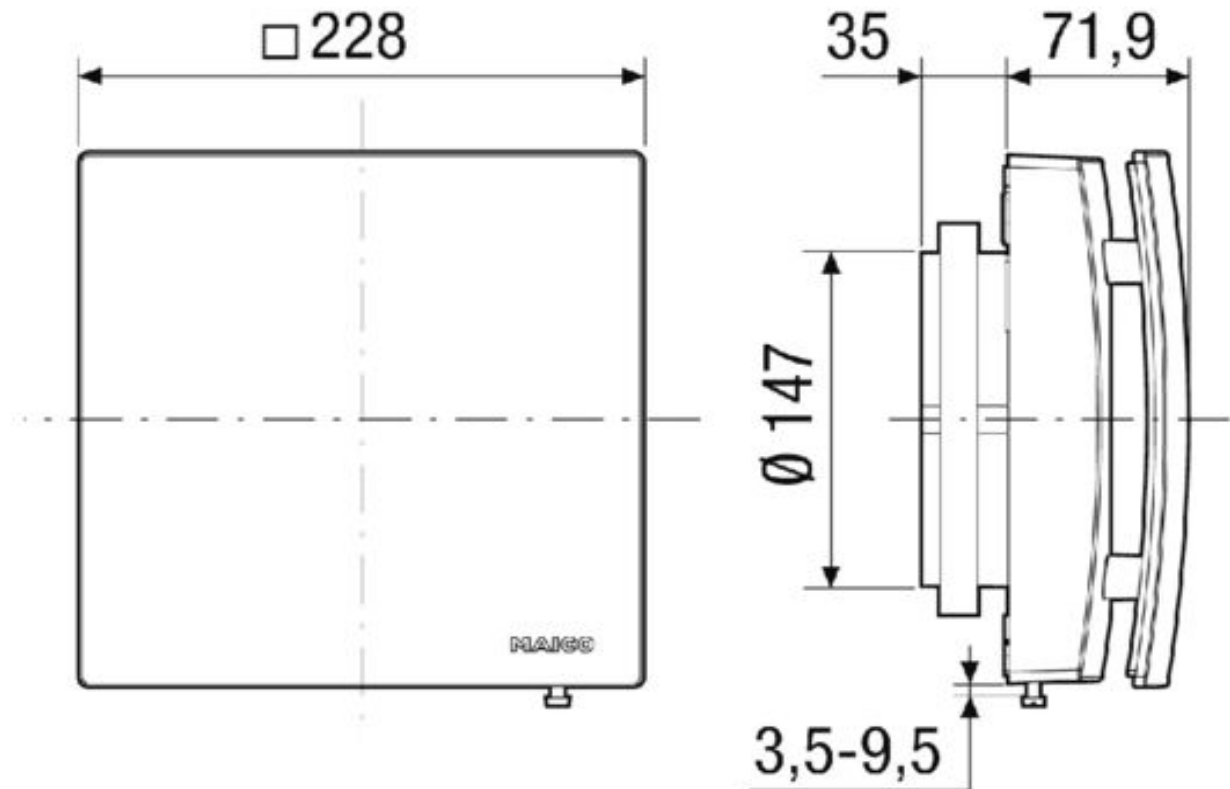


**Abmessungen / Dimensions / Dimensioni**

**AE 10/15/16**



Masse / Dimensions / Dimensioni, mm