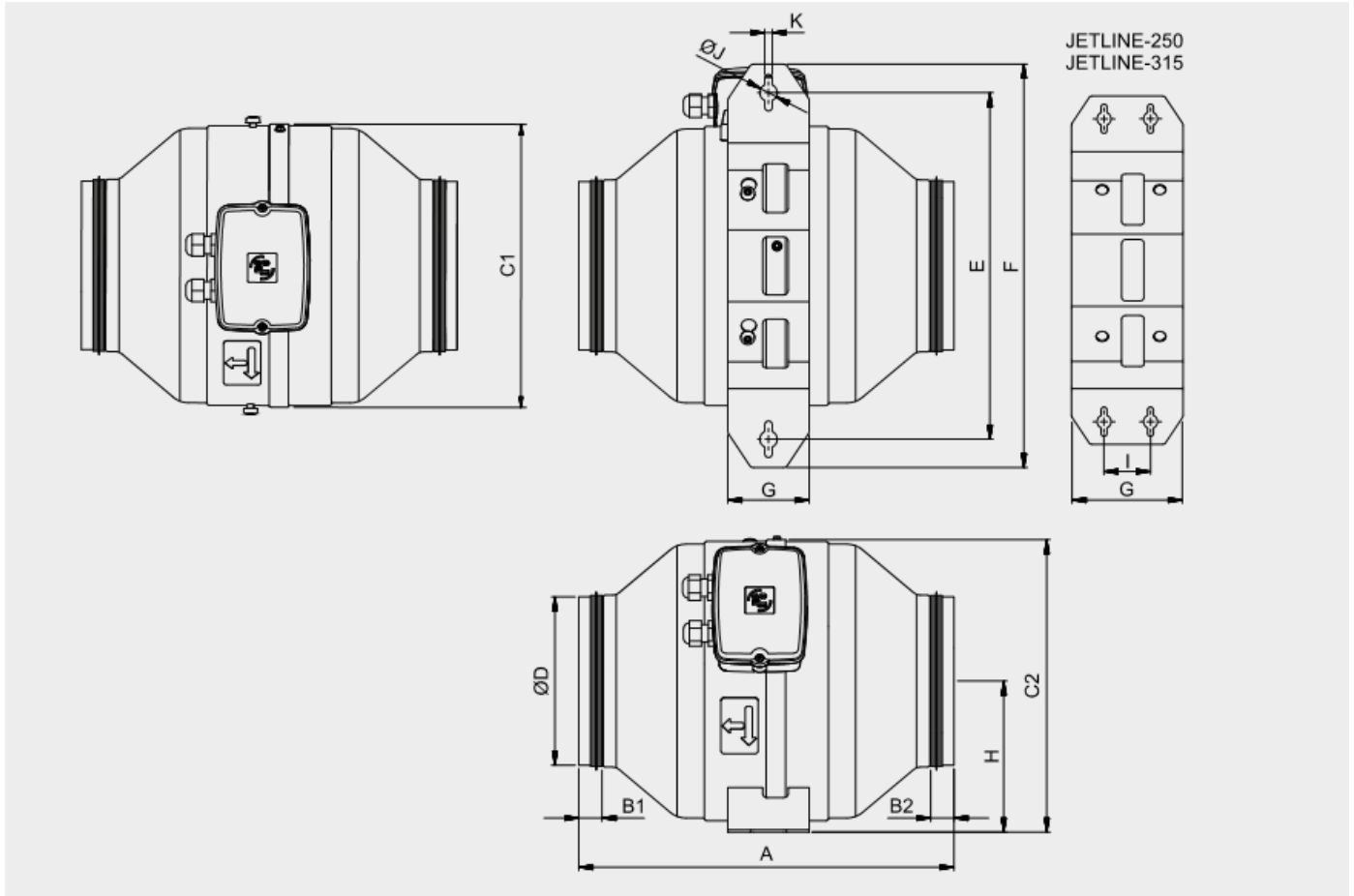


Abmessungen / Dimensions / Dimensioni

JETLINE ECOWATT 315



A	B1	B2	C1	C2	D	E	F	G	H	I	J	K
369	20	33	322	331	310	357.5	407	120	170	50	15	6.5

Masse / Dimensions / Dimensioni, mm