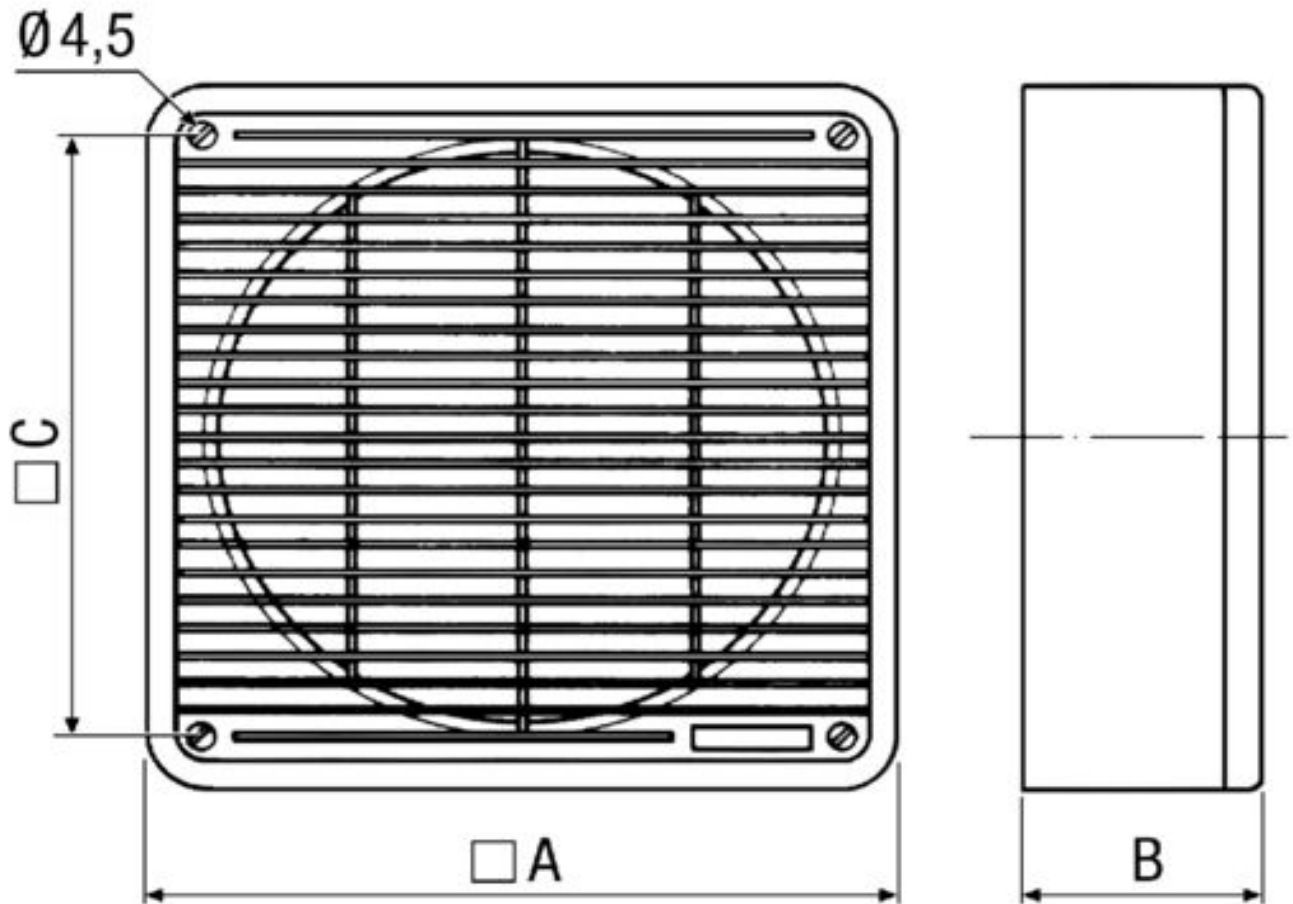


**Abmessungen / Dimensions / Dimensioni**

**ZFF 20**



A = 258

B = 82

C = 212

Masse / Dimensions / Dimensioni, mm