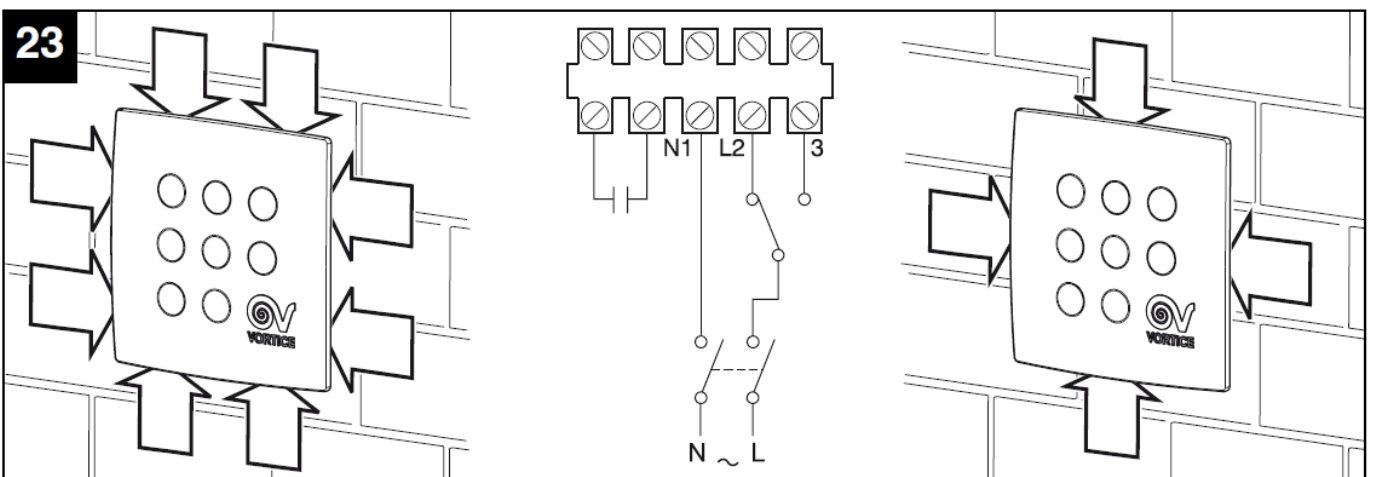
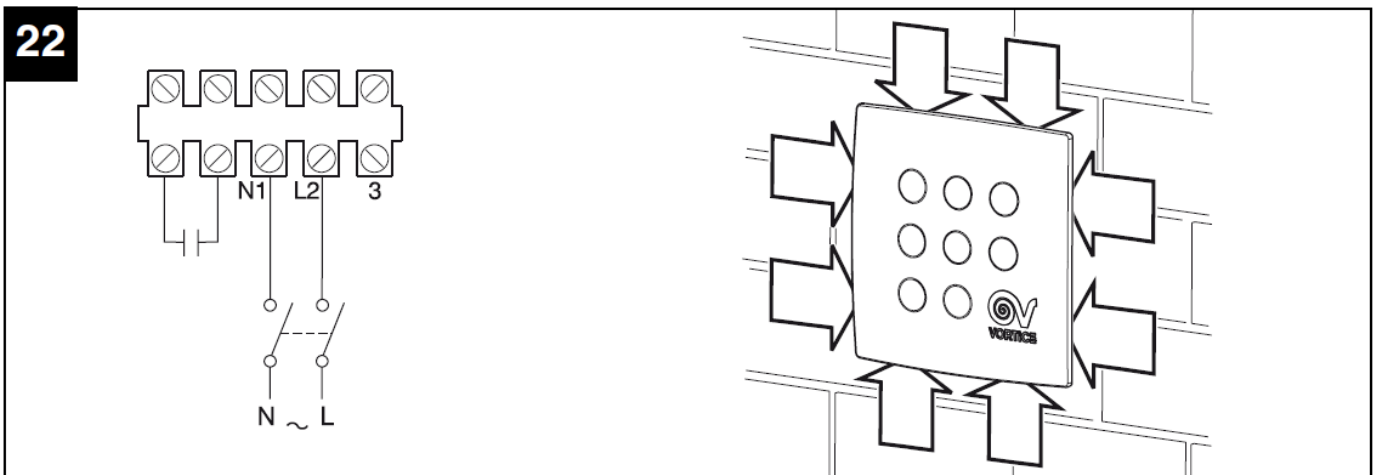
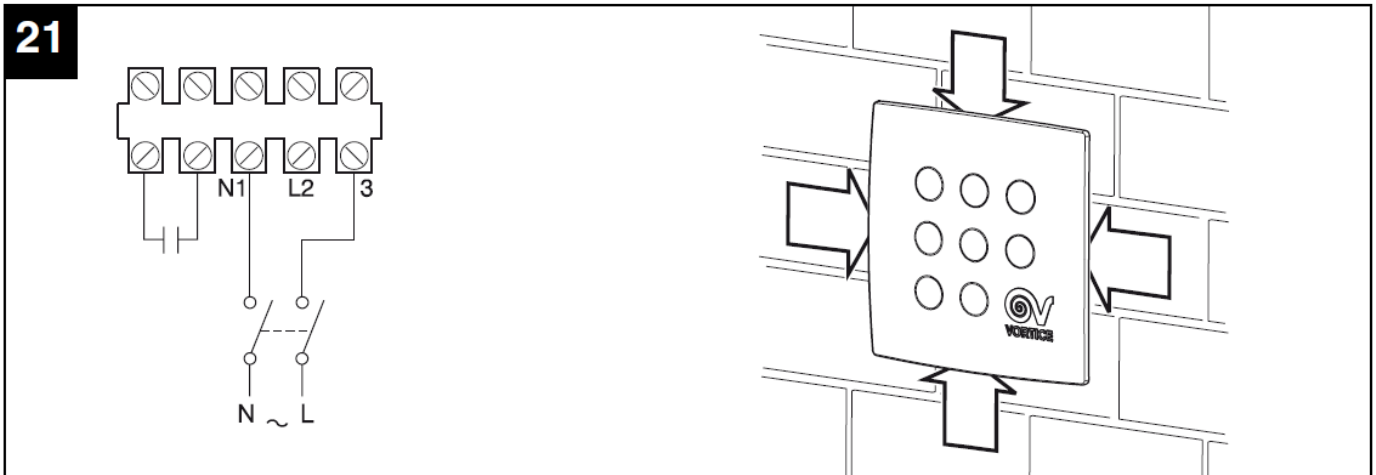


**Anschlussschema / Schéma de raccordement / Schema di allacciamento**

**Vortice Vort Quadro I Serie**



**24**

The diagram shows a 6-pin terminal block with terminals labeled N1, L2, 3, 4, and 5. Terminal N1 is connected to the neutral line (N) of a power supply. Terminal L2 is connected to the live line (L) through a switch. Terminal 3 is connected to a light fixture. Terminal 4 is connected to a ceiling-mounted diffuser. Terminal 5 is connected to a door handle pull. The room schematic shows a ceiling-mounted diffuser with six air outlets, a light fixture, and a door with a handle pull.

**25**

The diagram shows a 6-pin terminal block with terminals labeled N1, L2, 3, 4, and 5. Terminal N1 is connected to the neutral line (N) of a power supply. Terminal L2 is connected to the live line (L) through a switch. Terminal 3 is connected to a light fixture. Terminal 4 is connected to a ceiling-mounted diffuser. Terminal 5 is connected to a door handle pull. The room schematic shows a ceiling-mounted diffuser with six air outlets, a light fixture, and a door with a handle pull.