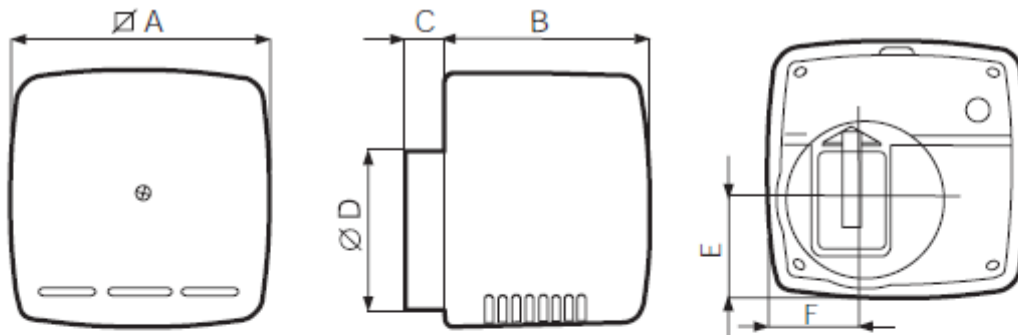
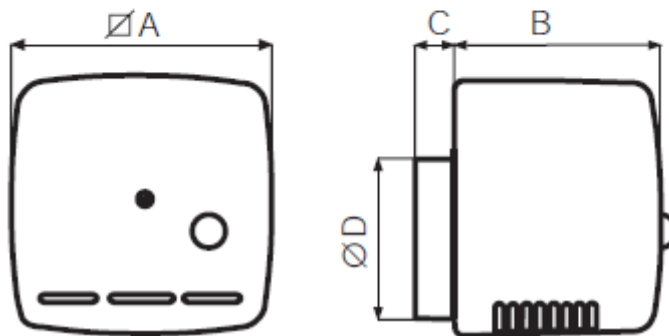


Abmessungen / Dimensions / Dimensioni

Vortice Ariett Serie



Ariett LL PIR



Masse / Dimensions / Dimensioni, mm

	$\varnothing A$	B	C	$\varnothing D$	E	F	kg
Ariett LL / Ariett LL MHC / Ariett LL PIR	156	123	25	97	60	60	1.47 / 1.45 / 1.5