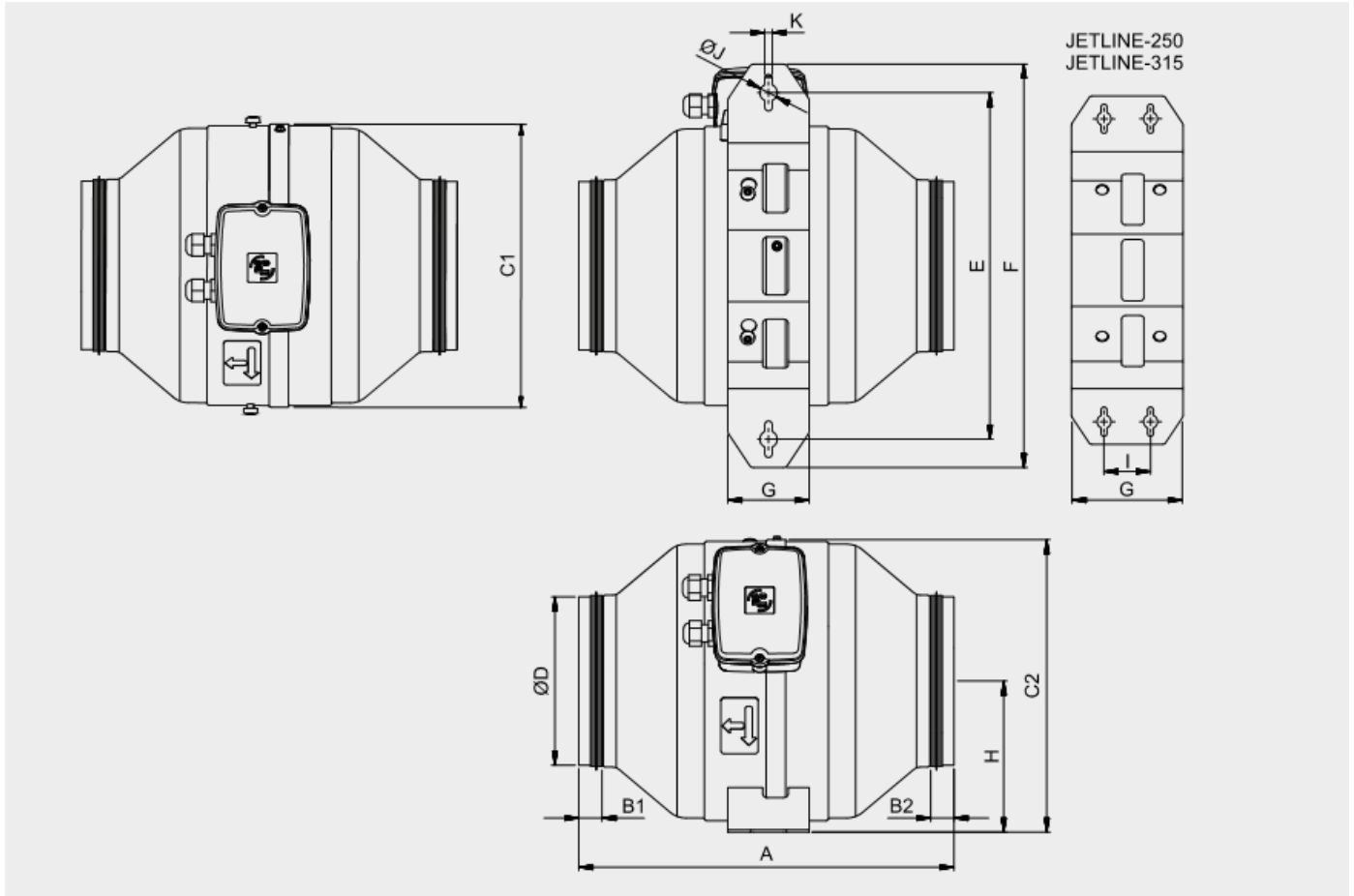


## Abmessungen / Dimensions / Dimensioni

### JETLINE ECOWATT 100



A	B1	B2	C1	C2	D	E	F	G	H	I	J	K
276	15	15	181	190	95	256	306	70	98	-	15	6.5

Masse / Dimensions / Dimensioni, mm