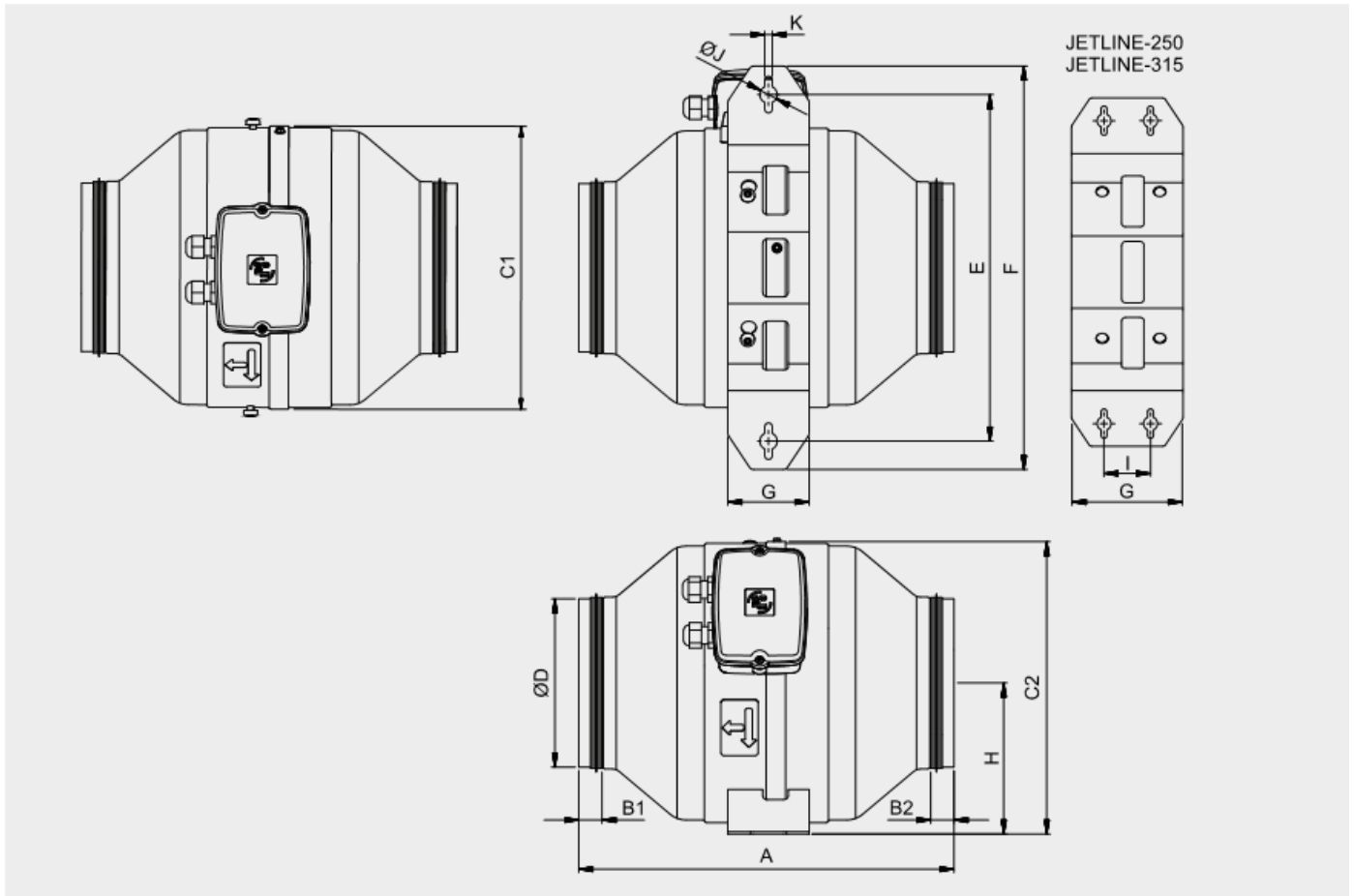


Abmessungen / Dimensions / Dimensioni

JETLINE ECOWATT 250



A	B1	B2	C1	C2	D	E	F	G	H	I	J	K
329	20	30	293	301	245	326	375	120	154.3	50	15	6.5

Masse / Dimensions / Dimensioni, mm