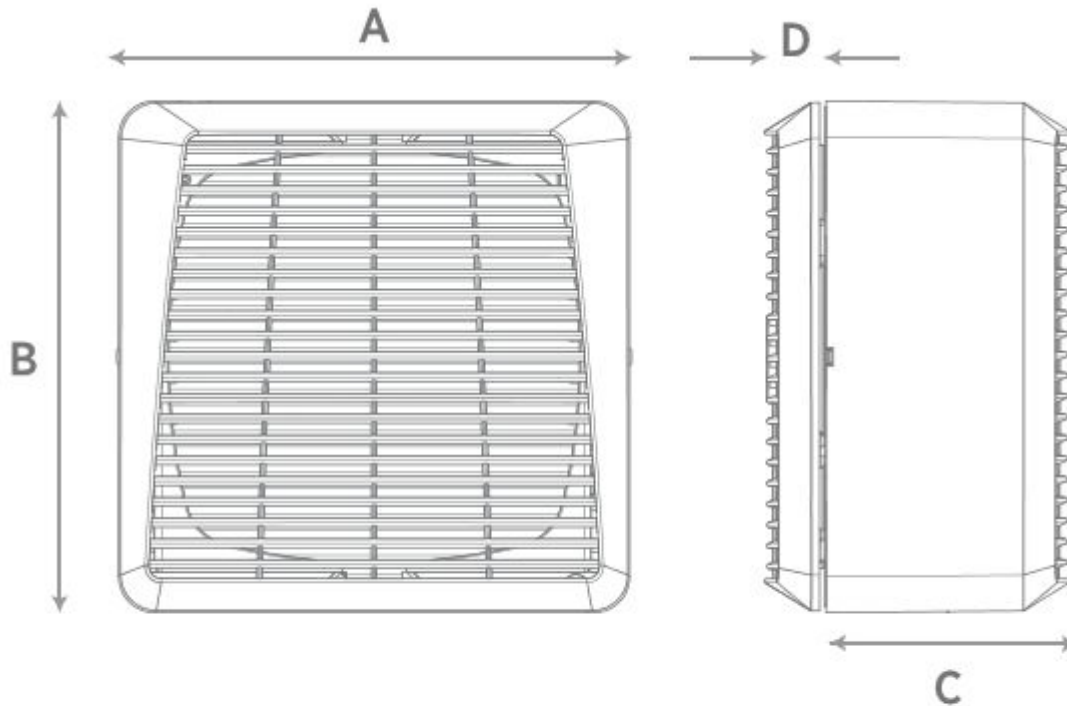
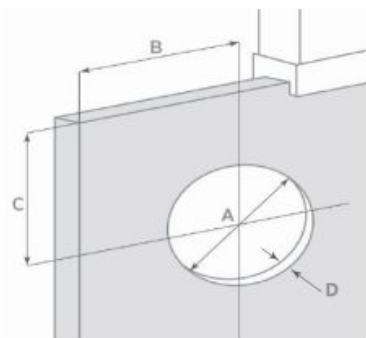


**Abmessungen / Dimensions / Dimensioni (mm)**

**EASY**



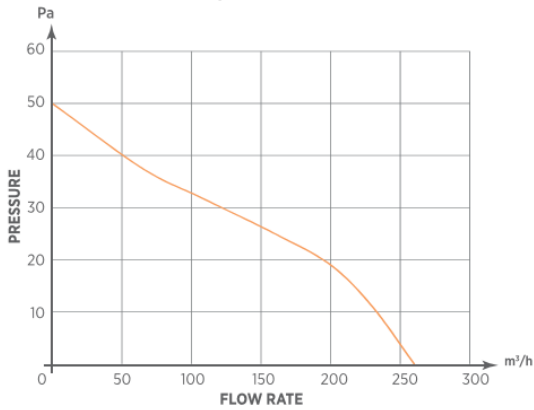
Model	A	B	C	D	∅ Glass hole	Wall/Glass thickness
EASY 15/6"	223	223	110	33	184 -195	3 - 50
EASY 23/9"	285	285	137	33	254 - 262	3 - 50
EASY 30/12"	360	360	140	33	324 - 337	3 - 50



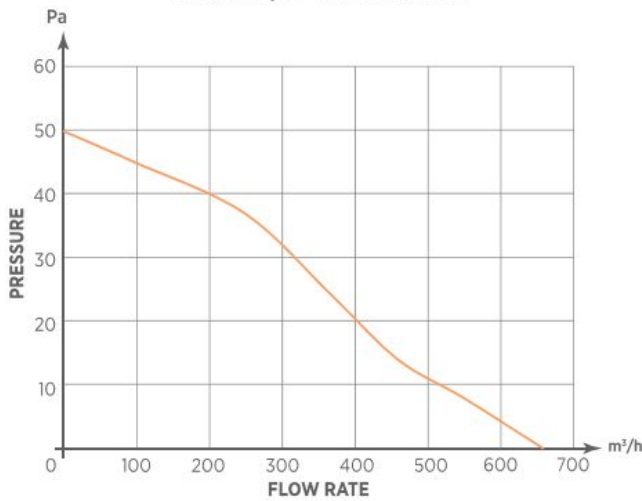
Model	∅A	B	C	D
EASY 15/6"	184 - 195	>230	>125	3 - 50
EASY 23/9"	254 - 262	>265	>160	3 - 50
EASY 30/12"	324 - 337	>300	>200	3 - 50

**FLOW CHARTS**

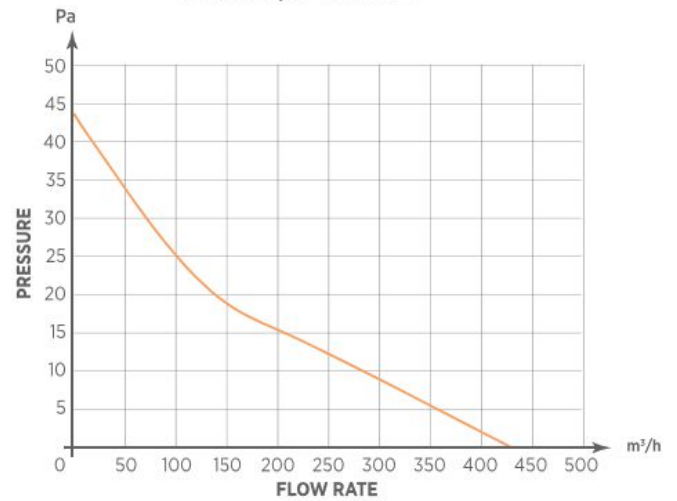
**EASY 15/6" EXTRACTION**



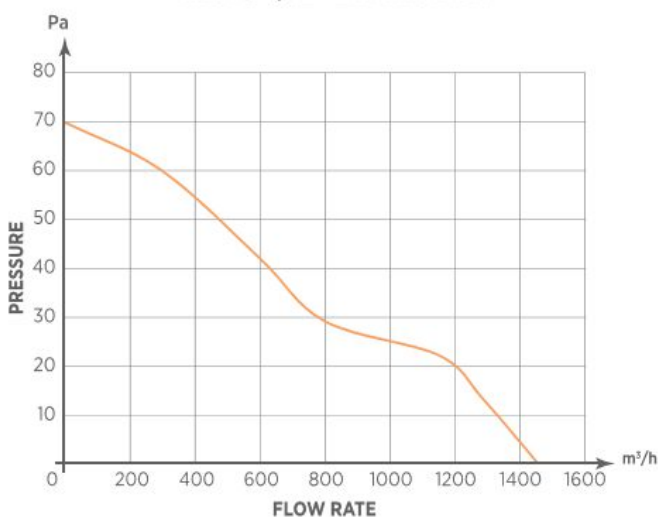
**EASY 23/9" EXTRACTION**



**EASY 23/9" INTAKE**



**EASY 30/12" EXTRACTION**



**EASY 30/12" INTAKE**

